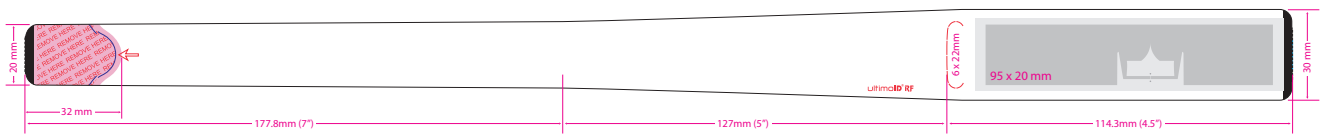




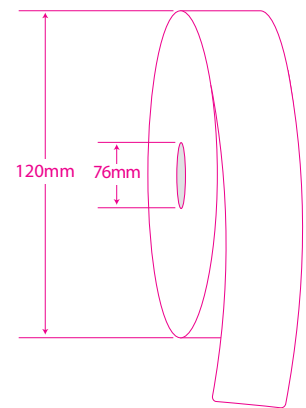
SIVA's Pat-Track RAIN (UHF) RFID wristband is an ideal solution to locate (RTLS), identify and connect patients to the hospital administration system. The wristband is delivered with an Impinj M730 chip with customer specific encoding of EPC and can be printed on using most thermal printers available in the market.

Available in a size that can fit most wrist sizes, this wristband carries a protruding antenna design that helps achieve longer read distances not requiring line-of-site data transmission and can be read even when covered under clothing, bed coverings, etc. These wristbands can also be printed with barcodes that can help increase patient security.



PHYSICAL SPECIFICATION

Face Stock	Direct thermal white PP
Wristband Size	419.1 x 30 mm 16.5 x 1.18 in
Thickness	Overall: 165 microns Over the inlay: 240 microns
Adhesive	High performance permanent adhesive
Weight	1.95 gm
Delivery format	Roll form
No. of Bands/ Reel	125
Core inner diameter	419.1 mm/16.5 in
Core inner diameter	76 mm / 3 in
Roll Outer diameter	120 mm / 4.7 in



RF SPECIFICATION

Mode of Operation	Passive
Device type	Class 1 Gen 2 Passive UHF RFID transponder
Air interface protocol	EPC global GS1 UHF Gen2v2 ISO/IEC 18000-63
Operational frequency	Global 860-960MHz
IC type*	Impinj Monza 730
Memory configuration	128 bits of EPC memory, 0 bits of User memory
Data Retention	Min. 10 years
Write Cycle Endurance	10,000
Read Range (2W ERP)**	ETSI: upto 7 m / 22.96 ft FCC: upto 12 m / 39.37 ft
Applicable surface materials	Wrist

ENVIRONMENTAL RESISTANCE

Operating temperature	20°C to +80°C / -4°F to +176°F
Withstands Exposure to	95% humidity, 60°C × 100 h, 50% humidity, 80°C × 100 h
Recommended Application Temperature	+10°C to +38°C / 50°F to +100.4°F
Adhesive Service Temperature	-20°C to +80°C / -4°F to +176°F
Water Resistance	IP67
Ideal Storage condition	+23°C / 50% RH
Expected lifetime	Years in normal conditons

PRODUCT INSTALLATION



WRAP: Wrap the wristband around the individuals wrist with the printed side facing upwards by passing the wristband tail through the slit on the wristband head.

PEEL: Peel off adhesive cover from the wristband tip. Do not let the adhesive become contaminated with dust or finger prints.

ADJUST: Adjust the wristband to sit comfortably around the wrist.

FASTEN: Once fully adjusted, fasten the wristband around the wrist.

PERSONALIZATION OPTIONS

Pre-encoding

- Customer specific encoding of EPC

Customized Printing

- Customer specific layout including logo, text, numbers, barcodes etc.

ORDER INFORMATION

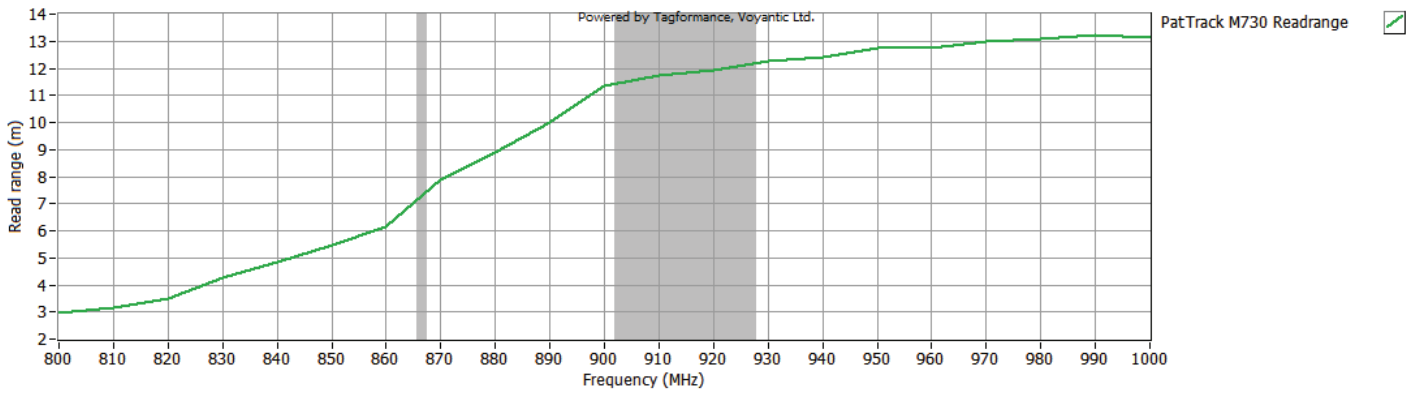
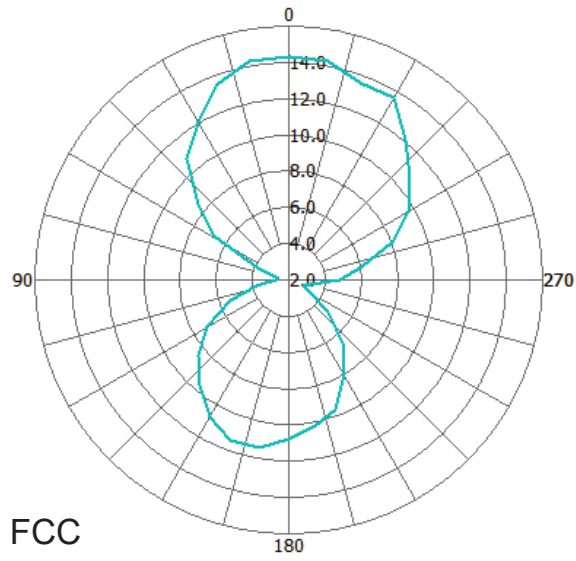
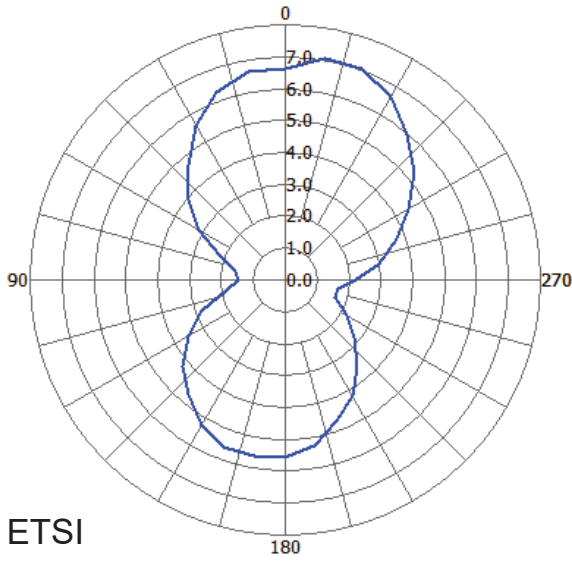
Part Number

- RF.WB.Pk.12730.M730

Roll Details

- 125 Bands / Roll (4 rolls/box, 5 boxes/carton)

RADIATION PATTERN & READ RANGE GRAPH (ETSI & FCC)



* Other IC's available on request

** The indicated read range values are measured in our laboratory testing environment, where antennas with optimum directivity are used with maximum allowed operating power. Different surface materials and environments may exhibit different results.



Version: 250524.01