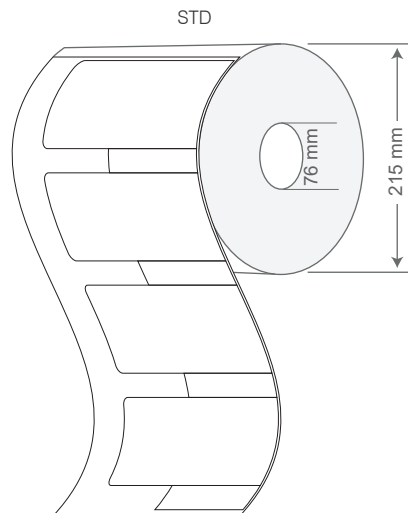


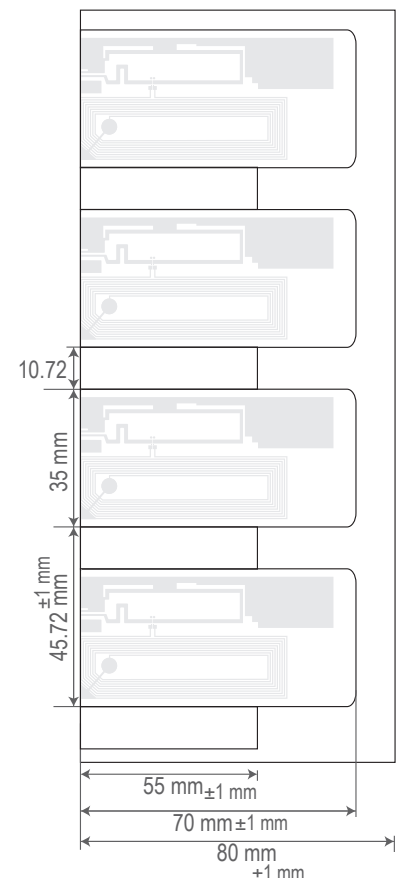
SIVA's Ferro-MOM 7035 Dual Frequency Tamper Proof is a passive RAIN (UHF) RFID label for Mount on Metal applications delivered with a high performance acrylic adhesive that bonds well with the metal surface it is mounted on. The label features a film face to print logos, product information, or scannable barcodes directly on the label.

Delivered with the EM4425 chip, the label can also be customized to customer requirements on request. The label features a folded antenna design that delivers improved performance when the folded edge is mounted closer to the edge of the metal surface.



PHYSICAL SPECIFICATION

Face Stock	Printable white PET resin ribbon is recommended
Label Sizes	70 x 35 x 2.2 mm 2.76 x 1.38 x 0.08 in
Adhesive	High performance acrylic adhesive
Weight	1.28 gm
Delivery format	Roll form
No. of Labels/ Reel	std: 250 pcs
Label Pitch	45.72 mm / 1.8 in
Core inner diameter	76 mm / 3 in
Roll outer diameter	std: 215 mm / 8.46 in



RF SPECIFICATION

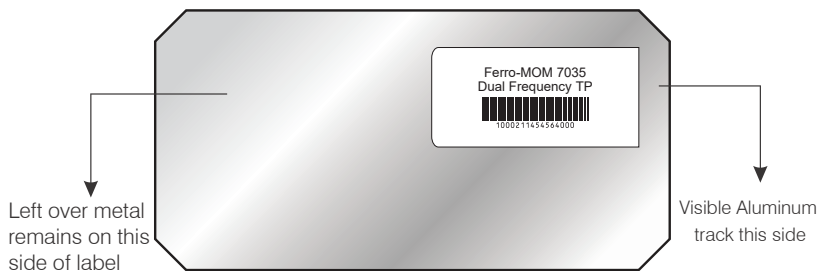
Mode of Operation	Passive
Device type	NFC Forum Type 5, EPC Generation-2 Version Tag
Air interface protocol	NFC Forum Type 5 Tag, ISO/IEC18000-63, EPCTM Gen2v2, and ISO/IEC 29167-10
Operational frequency	ETSI: 865 - 869 MHz NFC: 13.56MHz FCC: 902 - 928 MHz
IC type*	em Microelectronics em echo-V / EM4425
Memory configuration	Shared unique IC serial number included in: 64-bit UID (HF) 96-bit TID (UHF) Configurable 2048-bit memory used for: HF User memory Up to 480-bit EPC/UII encodings UHF User memory
Data Retention	Upto 50 years
Write Cycle Endurance	100,000
Applicable surface materials	Metallic surface
Read Range**	ETSI: Upto 1.8 meters FCC: Upto 2.5 meters

ENVIRONMENTAL RESISTANCE

Operating Temperature	-40°C to +85°C / -40°F to +185°F
Peak Temperature	+85°C (Label remains securely attached with object. No physical or performance changes observed.)
Adhesive Service Temperature	-20°C to +70°C / -4°F to +158°F
Recommended Application Temperature	+10°C to +38°C / 50°F to +100.4°F
Water Resistance	IP68, tested for 5 hours in 1m deep water
Chemical Resistance	Resistant to chemical solvents and moisture
Ideal Storage Condition	+23°C / 50% RH
Expected Lifetime	Years in normal operating conditions

PRODUCT INSTALLATION

Attach label in close proximity to edge of metal surface for optimum read range performance, as shown in image below.



- Ensure the application surface is not uneven and is clean and dry, to obtain maximum bond strength. If required, use approved cleaning solvents to clean surface.
- Avoid touching the backside of the label while mounting it

PERSONALIZATION OPTIONS

Pre-encoding

- Customer specific encoding of EPC

Customized Printing

- Customer specific layout including logo, text, numbers, barcodes etc.

ORDER INFORMATION

Part Number

- RF.Li.TT.MOM.7035.DF.TP

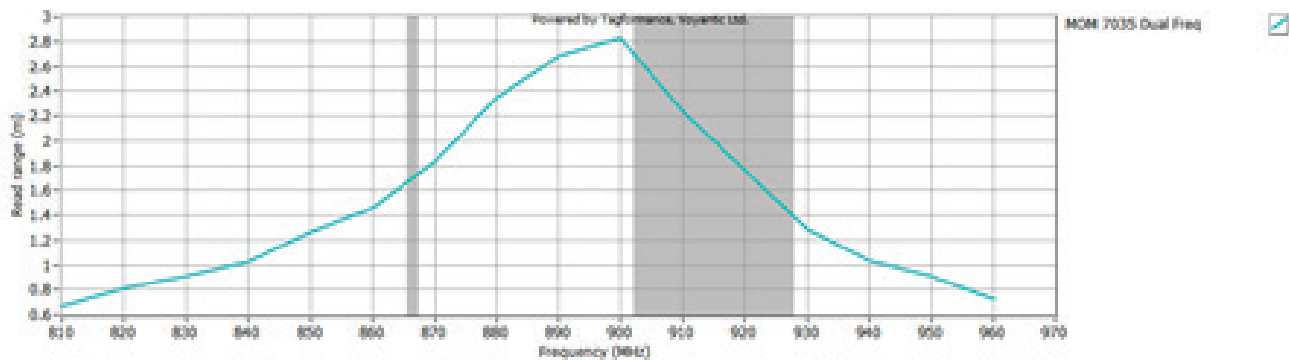
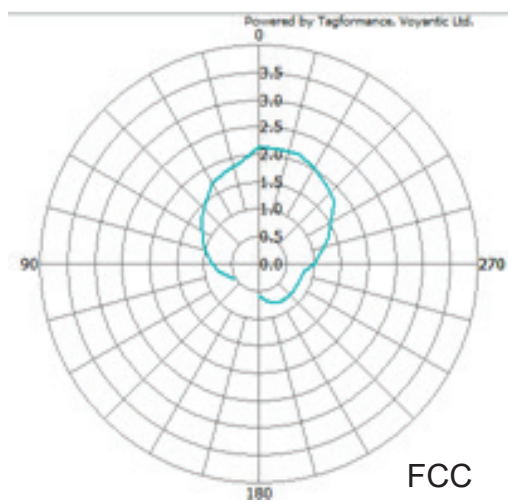
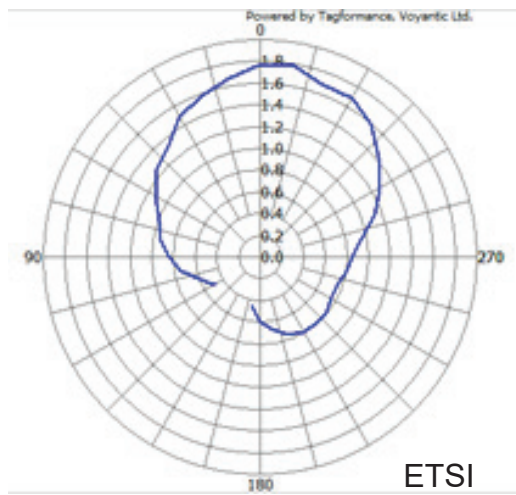
Roll Sizes

- std: 250 Labels per Roll / 4 Rolls per Carton

PRINTER COMPATIBILITY

- Contact us for RFID printer compatibility and settings

RADIATION PATTERN & READ RANGE GRAPH (ETSI & FCC)



* Other IC's available on request

** The indicated read range values are measured in our laboratory testing environment, where antennas with optimum directivity are used with maximum allowed operating power. Different surface materials and environments may exhibit different results.



Version : 300422.01